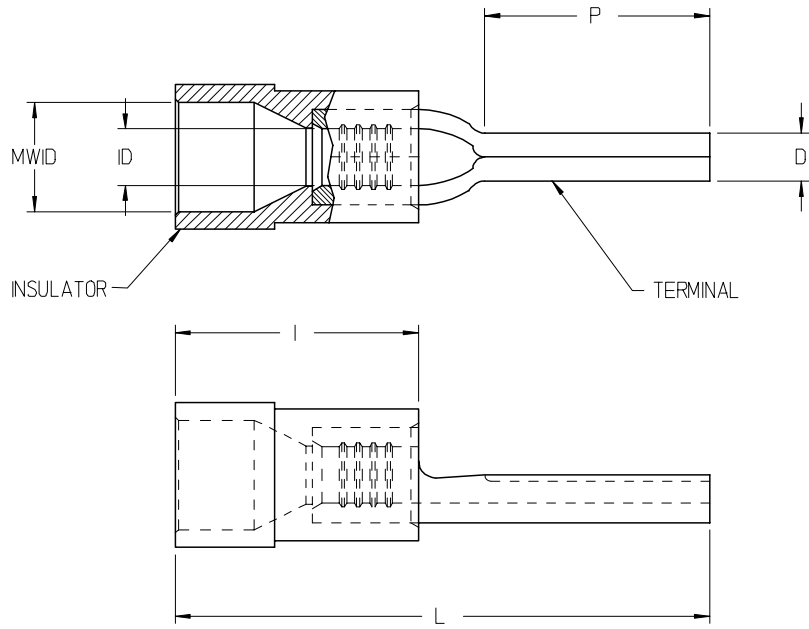


MATERIAL NO. LOOSE PIECE	ENGINEERING NO. LOOSE PIECE	MATERIAL NO. ON TAPE	ENGINEERING NO. ON TAPE	WIRE SIZE	INSULATOR COLOR	ID MINIMUM	L MAXIMUM	P ±.01/0.25	D ±.01/0.25	MWID	I REFERENCE
192120003	WP-2218X	192120004	WP-2218XT	22-18 AWG	RED	.055/1.40	.93/23.6	.39/9.9	.078/1.98	.145/3.68	.400/10.16
192120005	WP-2614X	192120006	WP-2614XT	16-14 AWG	BLUE	.083/2.11	.93/23.6	.39/9.9	.078/1.98	.175/4.44	.400/10.16
192120001	WP-2210X	192120002	WP-2210XT	12-10 AWG	YELLOW	.126/3.20	1.12/28.4	.45/11.4	.107/2.72	.250/6.35	.545/13.84



NOTES:

1. TERMINAL MATERIAL: COPPER
2. TERMINAL FINISH: TIN PLATED
3. INSULATOR MATERIAL: PVC
4. MWID = MAXIMUM WIRE INSULATION DIAMETER.
5. ASSEMBLY IS ROHS COMPLIANT.

REDRAWN W/TOL ADDED EC NO: ETC2007-0293 DRW: NEHLE 2007/02/12 CHKD: JMACNEIL 2007/02/12 APPR: JMACNEIL 2007/02/13	QUALITY SYMBOLS	GENERAL TOLERANCES (UNLESS SPECIFIED)	DIMENSION STYLE	SCALE	DESIGN UNITS	THIRD ANGLE PROJECTION																		
	▼=0 ▽=0	<table border="1"> <thead> <tr> <th></th> <th>mm</th> <th>INCH</th> </tr> </thead> <tbody> <tr> <td>4 PLACES</td> <td>±----</td> <td>±----</td> </tr> <tr> <td>3 PLACES</td> <td>±----</td> <td>±----</td> </tr> <tr> <td>2 PLACES</td> <td>±----</td> <td>±----</td> </tr> <tr> <td>1 PLACE</td> <td>±----</td> <td>±----</td> </tr> <tr> <td>ANGULAR</td> <td colspan="2">±----°</td> </tr> </tbody> </table>		mm	INCH	4 PLACES	±----	±----	3 PLACES	±----	±----	2 PLACES	±----	±----	1 PLACE	±----	±----	ANGULAR	±----°		IN/MM	5:1	INCH	
		mm	INCH																					
	4 PLACES	±----	±----																					
3 PLACES	±----	±----																						
2 PLACES	±----	±----																						
1 PLACE	±----	±----																						
ANGULAR	±----°																							
			DRAWN BY: EMF CHECKED BY: JM APPROVED BY: FP	DATE: 1992/10/08 DATE: 1992/10/08 DATE: 1992/10/08	TITLE: WIRE PIN TERMINAL, INSULKRIMP																			
		DRAFT WHERE APPLICABLE MUST REMAIN WITHIN DIMENSIONS	MATERIAL NO.: SEE CHART SIZE: B	DATE: 1992/10/08	DOCUMENT NO.: SD-19212-001	SHEET NO.: 1 OF 1																		